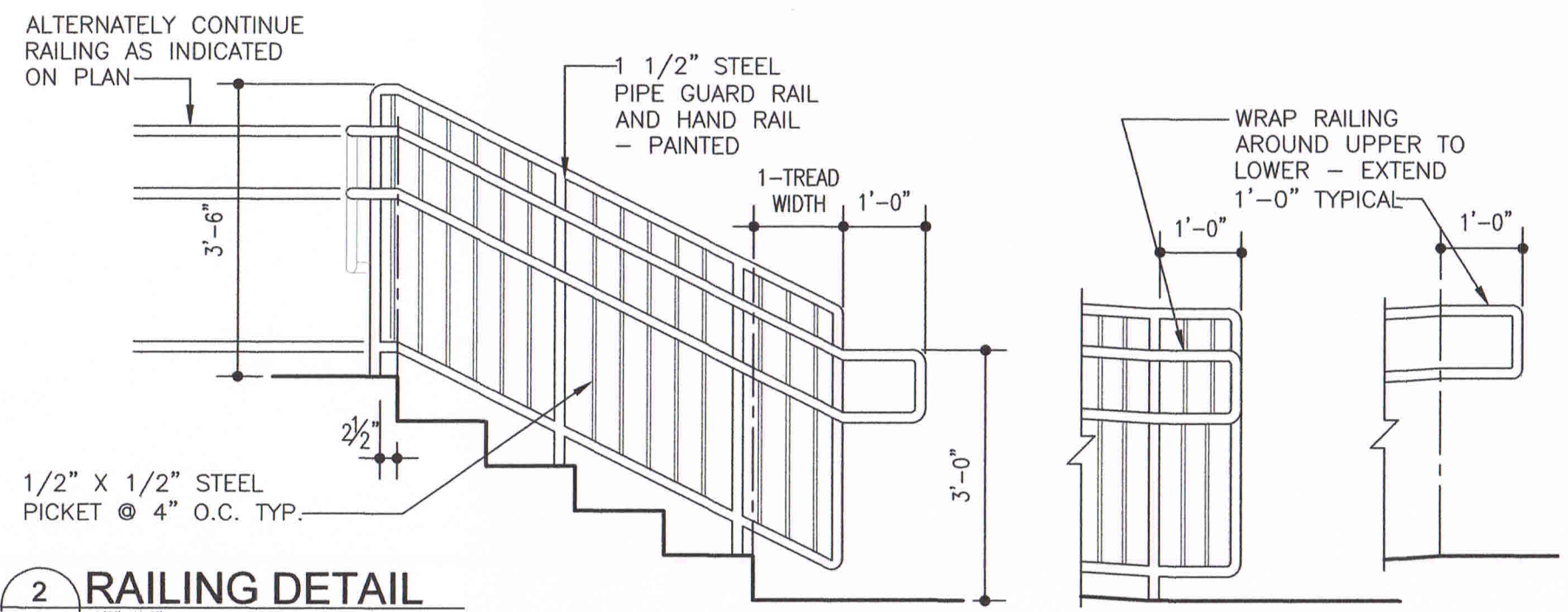


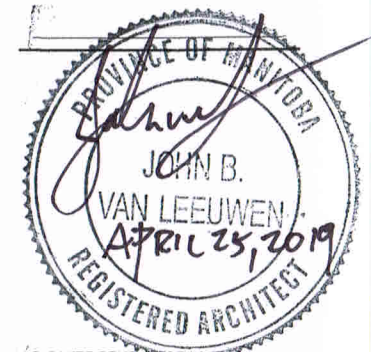
1 EAST ELEVATION
 AA-2.0 1/4"=1'-0"

SOUTH TRANSCONA COMMUNITY
 CENTRE-ACCESSIBLE RAMP
 AND STAIR ADDITION
 124 BORDEN AVENUE
 WINNIPEG, MANITOBA

CLIENT REVIEW SIGNATURE:



2 RAILING DETAIL
 AA-2.0 1/2"=1'-0"



ARCHITECTURAL SEAL

SHEET TITLE:
 EAST ELEVATION
 RAILING DETAILS

PROJECT NO: 2018177
 DRAWN BY: RR
 CHECKED BY: JV
 SCALE: AS NOTED
 ISSUED FOR: CONSTRUCTION
 ISSUE DATE: APRIL 16, 2019

AA-2.0
 CD
 DATE PLOTTED
 4/16/19